

"We tell it as it is"

SKYLOOK

The UFO Monthly

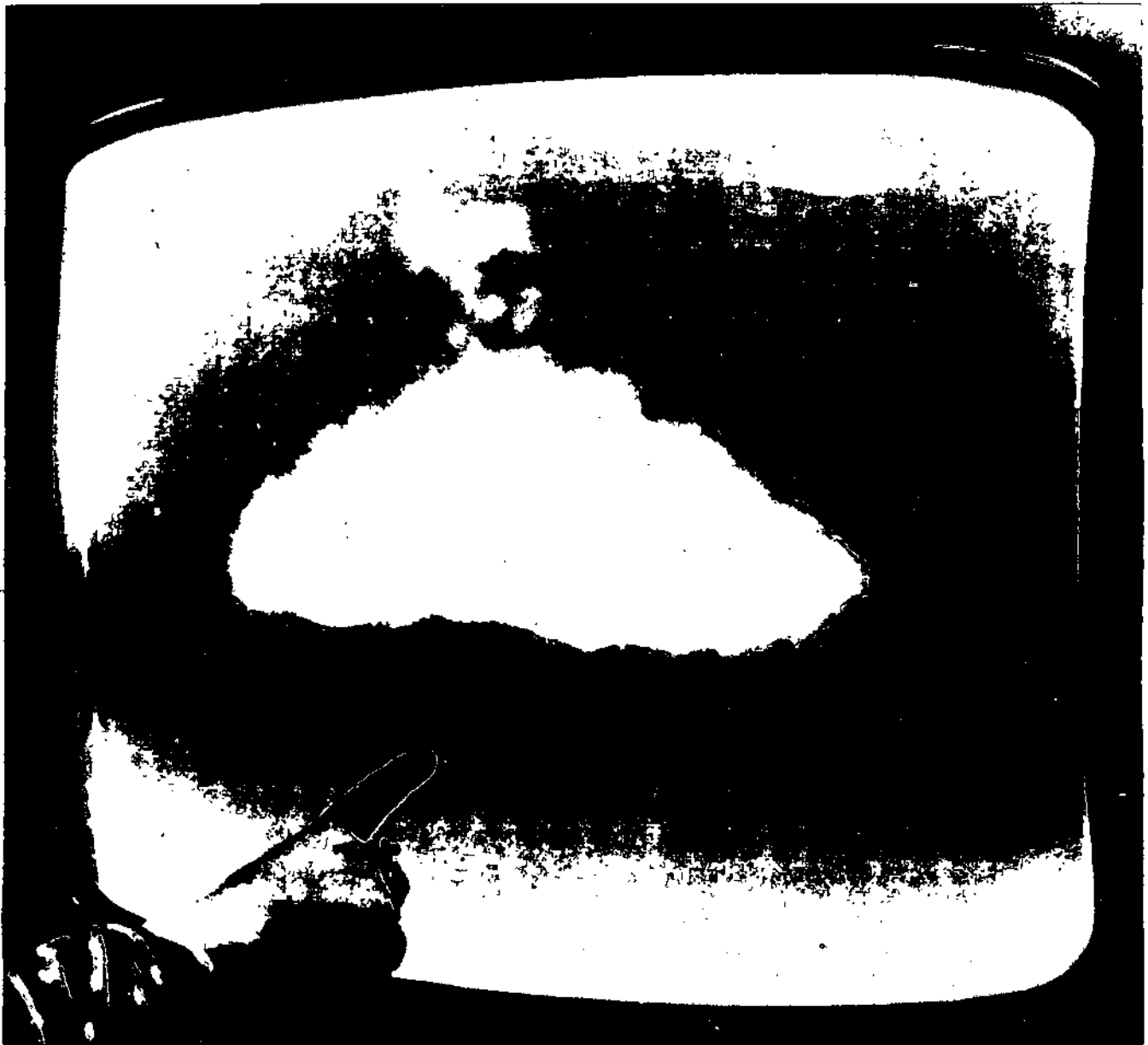
Number 76

MARCH 1974

OFFICIAL PUBLICATION OF



MUTUAL UFO NETWORK, INC.



This cloud-like, bright, mushroom-shaped object in the center of the TV screen has been listed as an Unidentified Flying Object by French scientists. The reflection in the upper

right corner of the screen is that of a lamp, not a UFO. The original photo, taken in June, 1973, was in color. Story on page 8.
(Photo provided by Joe Brill)

In This Issue

| | |
|--|----|
| Director's Message----- | 3 |
| New Twist to Fish Story----- | 4 |
| Around the Network----- | 5 |
| Kirkpatrick Named Skylook Coordinator----- | 5 |
| Center for UFO Studies explained----- | 6 |
| UFO's Behind the Iron Curtain----- | 3 |
| In Others' Words----- | 9 |
| Los Angeles Police Chase Object----- | 10 |
| UFO College Course in Nebraska----- | 11 |
| Columnist Suggests Contacting UFO's----- | 12 |
| Three Sightings in Pennsylvania----- | 13 |
| 1974 Symposium Plans Announced----- | 14 |
| St. Louis Symposium Bus Planned----- | 15 |
| 14 Ring Reports in 1973 Landings----- | 16 |
| Summary of 1973 Physical Traces----- | 17 |
| SKYNET Sighting Log----- | 18 |
| Argentine Contact Case Lacks Details----- | 19 |
| Astronomy Notes----- | 20 |

SKYLOOK has been designated the official publication of the Mutual UFO Network; however, membership in MUFON is not required to subscribe to Skylook, and membership in MUFON does not automatically include a subscription to Skylook. Membership in MUFON, which is \$2.00 per year and by invitation, is handled through the MUFON office, 40 Christopher Court, Quincy, Ill. 62301.

Advertising is available in Skylook at 10¢ per word, \$1.25 per display line, or \$5 per display inch (1x3½). Minimum charge \$5. Advertisements subject to approval of editor.

Skylook

The UFO Monthly

Dwight Connelly
Editor-Publisher

Mrs. Carolyn Connelly
Business Manager

Public Relations:

Mrs. Rosetta Holmes
1690 Hill Drive
Carlyle, Ill. 62231

Staff:

Walter H. Andrus
40 Christopher Court
Quincy, Ill. 62301

Norma E. Short
Box 129
Stover, Mo. 65078

Joseph M. Brill
228 N. 12th St.
Quincy, Ill. 62301

Lucius Farish
Route 1
Plumerville, Ark. 72127

Mark Herbstritt
927 Theresia St.
St. Marys, Pa. 15857

Ted Phillips
P.O. Box 615
Sedalia, Mo. 65301

David A. Schroth
4517 A Pennsylvania
St. Louis, Mo. 63111

John F. Schuessler
P.O. Box 9
O'Fallon, Mo. 63366

EDITORIAL

One of the difficult problems faced by serious UFO researchers is the lack of credibility often associated with UFO reports, and in some cases with UFO investigations in general.

This problem is caused by many things, some of which are simply beyond control.

There is the sensational type of newspaper and magazine, which often is more interested in running interesting stories than in the truth.

There are UFO hoaxes, which not only add to credibility problems, but often create serious hazards.

There is the self-proclaimed UFO investigator without sufficient training or adequate back-up organization.

There is the so-called "kook fringe."

There are others.

Skylook is attempting to do its part to separate the serious research from the merely interesting by clearly labeling articles and providing full facts on each article used. Obviously, MUFON investigative reports should be viewed as being more reliable than newspaper stories, and should be labeled as such. This we attempt to do.

In addition, Skylook often holds articles and photos until investigations are completed. At this time, for example, we are holding a fascinating UFO photo which is being evaluated for authenticity. We are also holding an equally fascinating account of a UFO repair operation, pending an interview with a second witness and a search for a repair part which may have been left behind.

We may occasionally make slips in carrying out this policy, since we are human. But the determination is there, and we hope our readers share it. We welcome your suggestions for increasing our credibility.

Free copy of Skylook

Do you know someone who should be subscribing to Skylook, but isn't?

We have printed a limited number of extra copies of the March Skylook so that we can send FREE sample copies to such persons. While this supply lasts, we will send a FREE sample copy with your compliments, to a person you feel would enjoy our magazine.

Please limit your request to one person at this time, and please request a free sample only for a person you feel would be likely to subscribe. If this project is successful, it will be repeated for future editions. As Skylook continues to grow and expand, your help is sincerely appreciated.

Skylook, the UFO Monthly, is published monthly by Dwight Connelly, 26 Edgewood Drive, Quincy, Illinois 62301. Subscription rates: United States and Canada, \$5.00 per year; foreign, \$6.00 per year; 50 cents per copy. Application to mail at second-class postage rates is pending at Quincy, Illinois 62301.



Director's Message

BY WALT ANDRUS

With the appointment of Edward J. Planz as State Director for Alabama, MUFON is now organized in thirty-five states. Ed is a professor at the University of Alabama in metallurgical engineering and resides at 1119 Brookhill Road, Tuscaloosa, Ala. 35401; telephone: AC 205 553-9054. He has laboratory facilities available to conduct X-ray diffractometry and spectrometry analysis of metals.

Also in Alabama, MUFON is proud to announce that Ernest H. Wells, 712 Kilkenny St. N. W., Huntsville, Ala. 35805; telephone: AC 205 536-6252 has accepted the position of State-Section Director for Madison, Jackson, Limestone, Morgan and Marshall counties. Ernest has a B.S. in E.E. and is a space scientist with NASA in Huntsville. He has been an astronomer for ten years and has his own private observatory. Please refer to Condon Report Case #54 on page 457 for his personal UFO sighting and photograph, known as the "Gulfstream" photos.

MUFON continues to grow in Georgia as Bruce C. Henne, 1224 Maple Drive, Griffin, Ga. 30223; telephone: AC 404 227-8144 volunteered to serve as State-Section Director for Spaulding, Pike, Lamar, Fayette, Butts, and Henry counties. Bruce has his Masters Degree in Psychology and is an instructor at Gordon Jr. College. Filling a vacancy created by the transfer of Francis Ridge to Mt. Vernon, Ind., George J. Taylor, R. R. 2, Litchfield, Ill. 62056; telephone: AC 217 324-4316, is the new State-Section Director for Montgomery, Macoupin, and Fayette counties in Illinois. George, a radio technician with the Illinois State Police, is also a radio amateur operator W9YXC and holds the following government licenses: Commercial Pilot -- single and multi engine with instrument and instructor ratings; a commercial F.C.C. Radiotelephone First Class and Radiotelegraph Second Class.

Thomas H. Nicholl, one of the co-chairmen for the 1973 MUFON UFO Symposium in Kansas City, has accepted the post of State Director for Kansas. Tom and his lovely wife, Grace, live at 9935 High Drive, Leawood, Ks. 66206; telephone: AC 913 642-9320. He is a graduate mechanical engineer and has served as an instructor at the University of Houston and the University of California. He is now the owner and president of Nicholl Brothers, Inc. in Kansas City, Mo., a manufacturing firm. To fill the vacancy associated with Mr. Nicholl's new assignment, he has appointed J. Stanley Fouch, 9914 Ensley Lane, Leawood, Kansas 66206; telephone: AC 913 642-5948 as State-Section Director for the Kansas counties of Johnson, Wyandotte, Leavenworth, and Miami. Stan has his M.S. in Math and is a manager for the I.B.M. Corpora-

tion in Kansas City. Stan was very involved in the success of the 1973 MUFON Symposium, and continues to do an outstanding UFO public relations job in the Kansas City metropolitan area.

We have regretfully accepted the resignation of William K. "Bill" Case as State Director for Texas due to added business responsibilities. However, we are very happy to announce that William A. Dexter, astronomy instructor and director of the Planetarium and Observatory at St. Marks School of Texas, 10600 Preston Road, Dallas, Texas 75230; telephone: AC 214 368-2425 has assumed this responsible office for the "Lone Star State." Bill will serve in a dual role as State Director for Texas and as a Consultant in Astronomy. He has been a UFO investigator reference source in the Dallas area for Dr. Hynek since 1964.

As a scientific-educational organization, MUFON is constantly seeking qualified people as advisors and consultants in many diversified fields to apply their expertise to resolving the UFO phenomenon. Ward A. Riley, Ph. D., 205 S. Mulberry, Maryville, Mo. 64468; telephone: AC 816 582-5684 has volunteered to serve MUFON as a Consultant in Physics. He presently teaches at Northwest Missouri State University and heads up the Physics Dept.

Another UFO related phenomenon that has not received adequate attention and study is the electro-magnetic effects that UFOs have upon vehicles; especially automobiles. Robert I. Masta, 2247 Prairie, Ann Arbor, Mich. 48105; telephone AC 313 662-2234 has dedicated his efforts to studying this aspect as a Consultant to MUFON. Bob is a graduate electrical engineer employed by the Cadillac Division of General Motors.

Joe M. Brill, International Coordinator, has appointed Einar A. Terjesen, NORSK UFO CENTER, Postboks 2119, N-7000 Trondheim, Norway, as our Foreign Representative to Norway. Einar is an integral part of the NORSKA UFO CENTER, and holds a B.S. in Chemistry from the University of Oslo.

As one of the methods MUFON utilizes to share UFO information and sighting reports with our liaison representatives in other countries (that is, outside of the United States, Canada, and Mexico), a complimentary subscription to SKYLOOK will be sent to each Foreign Representative as long as he is actively participating with MUFON. Harold Fulton, director for New Zealand, has already paid the postage to have his copy of SKYLOOK sent air mail. Any Foreign Representatives who may have sent his subscription to SKYLOOK prior to this time will be automatically credited with this amount and the funds will be used to

(continued on page 5)

New twist to fish story

A fish story with a new twist has been reported by MUFON Field Investigator William F. Christian.

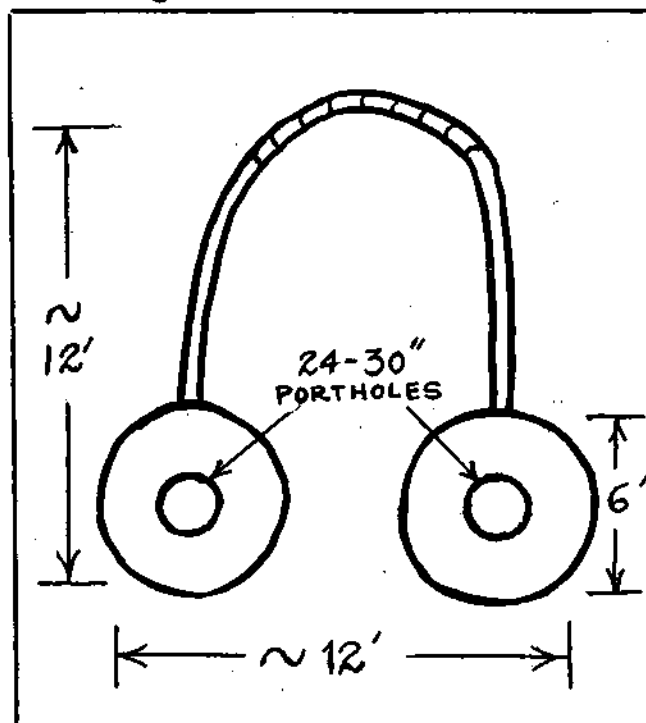
On or about Oct. 15 or 16, 1973, Robert Eicholz, 58, who owns and operates an automotive repair company in St. Louis, was fishing in a pond on a farm near Red Bud, Ill., owned by his cousin. Red Bud is about 35 miles southeast of St. Louis. The weather was clear, bright, sunny, and warm.

At about 2:30 p.m. Mr. Eicholz says he heard what sounded like an airplane in trouble, cutting its engines, then speeding up again. He stepped out from under some trees to get a better look, and saw a four-engine prop plane taking evasive action to avoid hitting what appeared to be a large horseshoe-shaped object that was hovering in the sky at an altitude of about 3,000 to 5,000 feet. The plane, which came within 500 feet of the object, seemed to be making a turn from an eastward course to a southward course (Scott AFB is near Belleville, Ill.). The plane flew south, and the object left in an easterly direction at a high rate of speed.

Mr. Eicholz said that the ends of the horseshoe, which were down, looked like bubbles. He said that, in the distance, the object looked like a balloon spider dragging two balloon webs. The color of the object was described as like a plastic cleaners bag with a dark, distinct outline around the object. No noise was heard from the object. The duration of this sighting was a few minutes or less.

Mr. Eicholz resumed fishing, thinking he might have observed some sort of launch experiment. He was fishing from the bank, using two poles with plastic bobbers, one 1" in diameter, and the other one 1½" in diameter, with pieces of metal running through the centers of them. After sitting under the trees fishing for about one-half hour, he said the bobbers began to pop out of the water, sometimes as much as a foot high, then settle back into the water again. Thinking at first that a school of fish might be playing with his bait, he sat watching this happen for about 15 minutes. Realizing that fish were not causing the bobbers to pop out of the water, he looked up into the sky, between tree branches, and observed that the object from the first sighting had returned, and was hovering over the pond at an altitude of about 900-1,000 feet.

The object was slowly turning ¼ circles; that is, about 90 degrees to the left, then back to the original position. Every time the object would pass over the bobbers, the bobbers would pop out of the water, according to Eicholz. After watching the object for another 10-15 minutes, he decided to try to get some more witnesses. His cousin was about 350 yards away near another pond planting strawberries, and the



The above drawing has been copied from one sketched by the witness, Mr. Robert Eicholz of St. Louis.

farm house was about ¾ mile away. Deciding to go for his cousin, Mr. Eicholz stepped from under the trees, at which time the object began to take off. After he had walked about 50 feet, the object had vanished into the northwest. As the object took off, it wobbled from side to side on its vertical axis, the faster the wobble the greater the burst of speed. Mr. Eicholz said the wobble was similar to the turning while hovering.

He said the object appeared to be about 12 feet wide. The ends of the horseshoe were, as previously noted, shaped like bubbles or rounded cabins, perhaps 6 feet in diameter. Each bubble appeared to have a porthole in its center, perhaps 2-2½ feet in diameter. The color was like clear plastic, or some type of material that reflected light from the sky, sharply outlined at the edges with a darker color. The top of the "perfect arch" appeared to have been joined together, like a rope which had been spliced. The part connecting the bubbles and forming the arch appeared to the observer to be some sort of tube. No noise was heard during either sighting.

Mr. Eicholz was unable to locate anyone else who had seen the object, although several night sightings occurred on Oct. 16 at the SIU campus in Edwardsville. A test with a magnet indicated that the bobbers were attracted to the magnet.

The investigator notes that he has known Mr. Eicholz about 20 to 25 years.

Around the Network

Ann Druffel and Dan Haefele appeared as two MUFON investigators to talk before two combined youth groups at the United Presbyterian Church in Los Angeles. Mrs. Druffel was scheduled to speak before the Kiwanis Club in West Los Angeles in February.

Don Kabat, Jr., recently appeared on a local radio program in Traverse City, Mich., giving MUFON and Skylook a plug. The program helped stimulate local residents to form a UFO organization, and has provided Kabat with "more reports from people who didn't know who to get in contact with."

MUFON Secretary Ted Phillips spoke at Longview Community College, Lee's Summit, Mo., Jan 23, and at the Sadalia, Mo., Jaycees Feb. 15. He is scheduled to address the Kansas City Astronomy Club, Kansas City, Mo., in March, and will speak at the Instrument Society of America convention in Kansas City, Mo., on March 19.

A panel made up of Walt Andrus, MUFON director; Joseph Brill, MUFON international coordinator; Robert Smulling, MUFON state director for Illinois; and Dwight Connelly, editor-publisher of Skylook, conducted a discussion at Culver-Stockton College, Canton, Mo., Feb. 16. The program was sponsored by the Young Engineers and Science Club of Canton High School and the Natural Science Division of Culver-Stockton College.

LeRoy R. Latham, Fayette County Iowa State Section Director, had a question-answer hour at the Charles City Community High School on Feb. 16.

Director

(continued from page 3)

send the copy via air mail to facilitate prompt delivery. The February 1974 issue of SKYLOOK was mailed to Foreign representatives, including Mr. Terjesen

Speakers and arrangements for the Fifth Annual 1974 MUFON UFO Symposium on June 22, 1974, at the Cascade Holiday Inn in Akron, Ohio, have been completed. Please refer to details in this issue of SKYLOOK and subsequent issues. It would be immensely appreciated if Editors of other UFO magazines and periodicals, who exchange with SKYLOOK, would publicize the 1974 MUFON Symposium announcement in their respective publications. These annual symposiums are recognized World-wide as being the finest of their type from a scientific and educational viewpoint. The 1974 Symposium proceedings will again be published for distribution, and will be available after June 22 by mail.

Kirkpatrick named Skylook West Coast coordinator

Robert J. Kirkpatrick, news editor of the Santa Ana Register, has been named West Coast Coordinator for Skylook Magazine, effective March 1, 1974.



Kirkpatrick

Kirkpatrick, who has completed two years of graduate study in languages, specializes in journalism and photography, and is a Field Investigator for MUFON.

He has been working with MUFON and Skylook personnel in California, and has been instrumental in the extensive coverage which appears in the Register of the UFO enigma.

The duties of the West Coast Coordinator will include working closely with MUFON and Skylook staffers in California to insure complete, accurate, and effective coverage

of all UFO and related happenings in that area, including news reports, special features, depth stories, and illustrations.

In appointing Kirkpatrick, Skylook Editor Dwight Connelly said, "The large number of Skylook readers on the West Coast, coupled with considerable UFO activity in that area, have created a need for expanded West Coast coverage in Skylook. We have had excellent assistance in that area for some time, and we feel the area now deserves to be represented by an extremely well-qualified coordinator. Mr. Kirkpatrick comes highly recommended by those he has been working with in MUFON. I know he will work well with our people in California to make our coverage there even better than in the past."

UFO SIZE OF SMALL HOUSE REPORTED BY CALIFORNIA MAN

WATSONVILLE, CALIF, REGISTER-PAJORONIAN, Dec. 13, 1973--Morris D. Cowen, of Corralitos, said that on Dec. 10 at 5:30 a.m. a UFO appeared suddenly as he was walking. He said it was the size of a small house, and was about 3,000 feet in the air. He described it as having red lights on top, silvery lights on the bottom, and a wide red band which rotated around its body. It was observed through field glasses, and reportedly remained stationary for 10 minutes.

Center for UFO Studies explained

Considerable interest has been shown in the newly-formed Center for UFO Studies, which is designed to serve as a central clearinghouse for UFO investigations. Set up under the guidance of Dr. J. Allen Hynek of Northwestern University it received the early endorsement of MUFON.

The financial aspect of the Center is currently being handled by the Public Education Group (PEG), a UFO study group affiliated with MUFON and headed by MUFON Illinois State Section Director Sherman J. Larsen. PEG was in existence and had tax-exempt status prior to the formation of the Center, and volunteered to serve as recipient and disbursing agent of funds for the Center until other arrangements can be made.

A detailed description of the Center has been submitted to Skylook by Larsen, as follows:

Introduction

The unexplained content of many UFO reports from credible witnesses in many parts of the world defines a problem and presents a significant mystery. Any phenomenon which has occupied the thought of so many people for so many years is surely a subject worthy of serious scientific study.

The UFO phenomenon has not been given serious attention in the past, yet it is an incontrovertible fact that a great many unsolved UFO reports exist. The phenomenon, on the contrary, has been the subject of misconceptions, misinformation, and an unscientific approach.

The UFO CENTER has been established for those who wish to see positive scientific action taken to end a quarter century of misrepresentation and buffoonery. The evidence is strong that the UFO phenomenon represents new empirical observations of great potential value to mankind. The work of the CENTER is directed toward the discovery of the essential nature of the UFO phenomenon.

A definition of a UFO

The CENTER defines a UFO as "the reported perception of an object or light seen in the sky or upon the land; the appearance, trajectory and general dynamic and luminescent behavior of which do not suggest a logical, conventional explanation, and which is not only mystifying to the original percipient but remains unidentified after close scrutiny of all available evidence by persons who are technically capable of making a common sense identification, if one is possible."

J. Allen Hynek, The UFO Experience

Origin of the CENTER

There exists a growing number of scientists, engineers and other professionals, generally associated with universities, laboratories and in-



Dr. J. Allen Hynek

dustry, who have contemplated the possible significance of the UFO phenomenon. They noted that such significance to science and society was being totally obscured by the popular confusion and gross misconceptions regarding the UFO phenomenon.

The UFO CENTER provides an avenue whereby the interests and talents of these scientists and other professionals can be focused and brought to bear on this challenging problem. A significant number of them have become actively associated with the CENTER and have volunteered their talents and facilities.

Objectives of the UFO CENTER

The CENTER has four principal objectives:

(1) to pursue a rigorous study and analysis of the UFO phenomenon, calling upon the talents and services of CENTER Associates and employing the existing facilities (computers, physical and biological laboratories, etc.) at universities and in industry wherever possible. While the ultimate objective is the solution of the UFO enigma or, should this not lie within our present scientific rubric, then at least to organize and document as thoroughly as possible for the future this phenomenon which has figured so prominently in the present epoch.

(2) to operate a UFO CENTRAL, a clearing house to which persons can report UFO experiences with-

out fear of ridicule or unwanted publicity, and with the knowledge that such reports will be given serious attention.

(3) to provide Bulletins and Technical Reports and be a source of reliable information about the UFO phenomenon to schools and universities, scientific organizations, and to the public in general.

(4) to assist and help guide correlative studies conducted in this and other countries through international symposia and conferences. It is not generally known, for instance, that active work in this field is being pursued on several continents.

The interdisciplinary nature of the UFO problem is clearly apparent. There are aspects of the problem which are of interest to psychologists, sociologists, medical practitioners and others. Indeed, there has rarely been a subject so interdisciplinary in character.

Implementation of the Objectives

To accomplish these objectives, the CENTER assumes the following functions and has at present, or is developing, the following facilities:

A. Central Data Bank

The CENTER has access to modern electronic computers so that a central data bank for UFO data can be maintained, queried, and constantly updated. Information theory and modern methods of information retrieval, pattern recognition, etc., are used to establish patterns and correlations between various UFO parameters (time, place, demographic factors, witness reliability, types of sightings, etc.).

B. Immediate Investigative Facilities

It is essential that current UFO sightings be reported as accurately, fully and as expeditiously as possible. A toll-free, nation-wide telephone number has been made available to law enforcement offices across the country, and to other responsible organizations on a 24-hour basis. This UFO CENTRAL facility is integral to the operation of the CENTER. It enables the CENTER to be quickly apprised of UFO events, to make preliminary evaluations, and to dispatch local investigators to the scene.

It has been well established that a UFO sighting represents a very real event, and often a very frightening experience, to the persons involved. The existence of UFO CENTRAL and its close association with police departments, civil defense, and various aviation agencies provides a ridicule-free avenue for the natural desire on the part of the witnesses to communicate their experience to someone in authority.

C. Laboratory and Theoretical Research

The CENTER'S main efforts are to be directed

toward specific problems arising from the reported UFO cases. Thus, for instance, the large number of cases in which the UFO has been reported to have interacted with the environment presents a scientific toehold not available in the equally spectacular cases in which, however, nothing has been left for study except the detailed reports of the witnesses.

The research work is concerned in part with laboratory analyses of plants, trees and soil that have been affected by the presence of the UFO; medical study of witnesses who have been reported as temporarily blinded, paralyzed and subject to nausea, headaches, etc.; witness credibility; statistical studies and theoretical investigations into the dynamic behavior of UFOs.

The problems studied are, thus, not the UFO itself, but the intriguing problems and experiments suggested by the consensus of UFO reports. A visitor to laboratories associated with the CENTER might find it hard to discover that the problems being studied and the experiments being performed had any direct connections with UFOs.

In brief, the research would concern itself with, for example,

1. Laboratory analysis of residues associated with a UFO Close Encounter.
2. Medical examinations of persons and animals affected.
3. Theoretical studies of the dynamic and luminescent properties of UFOs.
4. Credibility of witnesses.
5. Photographic and spectrographic analysis.

Public Participation in the Work of the CENTER

Persons or organizations interested in furthering serious scientific work on the UFO problem can participate best by volunteering their technical facilities, or by making tax-deductible contributions to the Center for UFO Studies, P.O. Box 11, Northfield, Illinois 60093

OBJECT HALF SIZE OF FOOTBALL FIELD REPORTEDLY HOVERS NEAR OREGON AUTO

LEBANNON, OREGON, EXPRESS, DEC. 13, 1973-- Wayne Girard of Lebanon was driving with his wife Edith on Interstate 5 near Wilsonville when a "large ship about half the length of a football field" appeared and hovered in front of their car. "It couldn't have been mistaken for anything else," said Girard. He said he told his wife at the time that "it looks like we've seen our first flying saucer."

The "ship" was surrounded by lights located in circular ports about 2 to 3 feet deep, according to Girard, and there was one area the shape of an inverted C that had no lights. There was a blue light located in the center on top of the ship.

The "ship" was in sight for 10 to 15 minutes before disappearing behind a hill. Girard did not report the sighting to police, and was reportedly hesitant about telling the paper about the experience.



UFO's Behind the Iron Curtain

BY JOE BRILL

Although this particular sighting is over twenty-five years old, I never the less believe it to be one of the best daylight disc sightings on record.

The date of the sighting was June 10, 1947. The time was approximately 3:30 p.m. The location was Budapest, Hungary. The newspapers of Hungary did report this incident in a very minor way and it is now impossible to secure any copies of the articles that told of what was seen.

However, one of the eye-witnesses to this event has written to me about what was observed, and this is his own personal account of what took place on that June 10, 1947, day over Budapest. The witness's name is Mr. Gyori Ferenc.

"I was standing on the corner of Arena Street on the right hand corner facing toward Zuglo, at the place of today's People's Sport Arena. The flying objects first appeared to my right, where the left hand side of the Sport's Arena is today and the time was approximately 3:30 p.m.

"They were shaped like discs and there were four of them. Their color was a yellow-reddish. The distance between each of them was about fifty meters. The entire observation lasted for thirty seconds and was seen by many people besides myself.

"Their elevation in relation to the horizon was about fifty to sixty degrees above the horizon. Their formation was in one straight line, one behind the other. They made a small arc of about 120° in their movement around the corner of the park. The discs were shaped like a plate or a flat sort of lentil. They appeared to be "swimming" through the sky and after making the curvature, they disappeared in a northwesterly direction toward Varosliget Park.

"In measuring the discs with my thumb at arm's length, they were each one thickness of the thumb (sideways) in width and two to three thicknesses of the thumb (straight up) in length. They were eight to ten thicknesses (straight up) of my thumb apart from one another and they maintained that distance during the entire observation.

The weather was perfectly clear and there was not a cloud in the sky at the time."

According to the United States Air Force Aerospace Intelligence files, there were some fifty reports submitted stating that the witnesses had seen strange "silver colored balls flying at fantastic speeds, during the daylight hours" on that same June 10, 1947, day. These reports were never investigated as they did not occur in the United States, but were included in

the Air Force Files as having been reported.

To my knowledge not a word concerning these sightings was published in any U. S. newspaper, as Kenneth Arnold's sighting did not occur until June 24th of that same year.

Something was observed by at least fifty witnesses and it was reported, although very poorly, in the press of Hungary. That something was four or more strange disc shaped objects that today remain as Unidentified.

Cloud-like object classified as UFO

(Photo on cover)

In late January, French national television for the first time showed the public pictures of a UFO taken by scientists aboard a jet flying over Africa last June.

While the object appears at first glance to be nothing more than a cloud, Serge Koutchmy, an astrophysicist at the National Scientific Research Center, and Claude Poher, an official of the National Center of Space Studies, have classified it as an Unidentified Flying Object, according to a UPI news release.

"Study of the enlarged prints indicates the object was at an altitude higher than the 56,000 feet of the Concorde," said Koutchmy.

Because of the altitude involved, most observers would automatically rule out an ordinary cloud as a possible explanation.

The object was estimated to have a diameter of at least 660 feet, according to Koutchmy.

The object showed up on frames of color photos taken by the scientists aboard a Concorde supersonic jet which was flying in the path of the June 30 eclipse of the sun. The object was not noticed until the film was developed.

By flying in the Concorde, the French, British, and American scientists on board had the opportunity of observing and photographing the eclipse for 85 minutes.

The pilot of the Concorde, Andre Turcat, commented that for him the photo "is an interesting and curious document, but I'll not hazard to say what it was. After having observed it, you ask yourself what it is--why not a phenomenon of ionization or the disintegration of a meteorite, for example?"

Poher contends that "we must rid this subject of passion, get used to the evidence, and prepare ourselves for more frequent confrontations." (Reported by Joe Brill)



In Others' Words

BY LUCIUS FARISH

NATIONAL ENQUIRER seems to be featuring more UFO material in their recent issues. The Feb. 3 issue told of sightings in Kentucky, as well as carrying an article on Josef Blumrich's "Ezekiel's wheel" spaceship theories. In the Feb. 10 issue, Italian sightings and photos were featured, plus an ENQUIRER poll dealing with readers' ideas on UFOs. Oklahoma sightings and Rev. Carl McIntire's "20th Century UFO Bureau" were detailed in the Feb. 17 issue. The Feb. 24 issue told of a sighting by Los Angeles, Calif. police officers. In the March 3 issue, a Texas sighting report was given, the preliminary results of the readers' poll were given (92% believe UFOs are real and extraterrestrial), and various psychics gave their opinions of UFOs.

Other recent tabloid articles include: A report on a lecture by Dr. Hynek in the Jan. 20 issue of MODERN PEOPLE; actor Ray Girardin's UFO sighting report in the Jan 27 issue of NATIONAL TATTLER; astronaut John W. Young's UFO beliefs and an Arkansas sighting report in the Feb. 3 NATIONAL INSIDER; and reports of encounters with UFO occupants in the Feb. 17 NATIONAL NEWS EXTRA.

The Feb. 17 issue of NATIONAL TATTLER featured an 8-page "pull-out" section on UFOs.

The Jan. 17 issue of ROLLING STONE contained a very long article on the Pascagoula, Miss. case. In many ways, it was the most informative article to see print thus far, but the author's "style" and obvious biases would undoubtedly "turn off" many readers.

The Feb. issues of MECHANIX ILLUSTRATED and CRAWDADDY contained roundup articles on the recent flap, as do the March issues of MALE and MAN'S. These are largely re-hash.

Feb. ARGOSY has a "Bermuda Triangle" article by Robert Marx in which he attempts to explain all the happenings in that area by conventional means. Methinks he does not quite succeed.

Jacques Vallee has an article on the supposed psychic aspects of Ufology in the Jan./Feb. issue of PSYCHIC.

An article in the March issue of FATE gave details of a 1971 sighting near Miamisburg, Ohio.

Two articles of interest are to be found in the March issue of SAGA. Warren Smith reports on the Pascagoula case (again!), and Joseph Goodavage provides some highly speculative material on lunar mysteries.

The spring issue of PROBE THE UNKNOWN is a "UFO special," with most of the articles being devoted to the subject. There are interviews with von Daniken and Dr. Hynek, as well as other material of great interest, including "The Distortion Factor" by Steve Erdmann, which features the UFO Study Group of Greater St. Louis. There is also an article about Stanton Friedman.

The first quarterly issue of SAGA's UFO REPORT (dated March) will be out shortly. Dale M. Titler and I will have an article on people who claim to have touched UFOs in this first issue of the REPORT.

Is there anyone among the SKYLOOK readers who has not heard of that arcane and supposedly unattainable volume, the Varo edition of M. K. Jessup's THE CASE FOR THE UFO? If you have been reading UFO literature for any length of time, you will surely be familiar with the controversy which has surrounded this document. Well, if, like me, you have always wanted a copy to see what all the fuss was about, your problems are over--if you have \$25.00 to spare, that is! Gray Barker has recently re-printed the Varo edition, and his own limited edition is now available at the above-mentioned price. The annotators of Jessup's original book implied that they possessed intimate knowledge of UFOs, their origins, motives, etc. Whether or not all this is true, the book does make for fascinating reading. The original Jessup book was truly a classic and should be read by anyone with the slightest interest in UFOs. The additional material--true or false--adds even more for the reader to consider. Copies may be obtained from Saucerian Press, Inc. Box 2223 - Clarksburg, WV 26301.

The names of Janet and Colin Bord will be quite familiar to Ufologists who receive various British UFO publications, such as FSR and BUFORA JOURNAL. Now the Bords have put together a large and beautiful book entitled MYSTERIOUS BRITAIN, which chronicles the many mysteries (including UFOs) to be found in their homeland. One chapter is devoted entirely to UFOs which have been seen over various parts of Britain, and portions of other chapters mention possible UFO links with leys and the strange hill figures of large size which are only visible in their entirety from the air. The book is filled with photographs (many taken by the Bords) and other interesting illustrations. I think you will find it most absorbing. The price is \$14.95 from Doubleday & Co., Inc. - 277 Park Avenue - N.Y., N.Y. 10017.

Ralph Blum's new book "Beyond Earth--Man's Contact with UFO's," will be in the bookstores April 1. It is a Bantam paperback.

OREGON WOMAN CLAIMS UFO FOLLOWS HER HOME

COOS BAY, OREGON, WORLD, DEC. 6 1973--Mrs. Honore Rigg of North Bend reported spotting a UFO over the Pony Village shopping center laundromat about 5:30 p.m. Dec. 4. She said the craft followed her to her home and moved around in that area for a few hours. She said the object hovered about one foot above the roof of her house, and had green and red and white flashing lights.

Policemen pursue bright object

Investigative Report
By Walt Greenawald
MUFON Field Investigator

TIME AND LOCATION: 12 November, 1973; 9:45 to 10:00 p.m. PST Los Angeles, Calif., USA. Central area of city known as Boyle Heights and in an area bounded by Whittier Blvd., Lorena St., Olympic Blvd., and Indiana St.

WEATHER: Clear and cool. Temperature was in the high 50's with no appreciable wind. Almost full moon at approximately 45 deg in the southeastern sky. Stars were clearly visible.

WITNESSES: Primarily two police officers of the Los Angeles police Dept., C. C. Smith (29) and Joseph Wynkoop (28) with four and five years service respectively. Officer Smith was interviewed for approximately 45 minutes (tape recorded) and is skeptical of UFOs. He readily admits that he (they) saw one, but that he does not know where they originate or what they are. Smith called it a UFO because no one could identify the object.

Other persons in the area reported seeing a UFO prior to and during the subject sightings; these included two additional policemen from the same station as Smith and Wynkoop. The private citizens who called in UFO reports did not wish to be identified:

SIGHTING: In response to phone calls from the Boyle Heights area of East Los Angeles reporting possible UFOs, police officers Smith and Wynkoop from the Hollenbeck Station were dispatched at approximately 9:45 p.m. PST to investigate. After searching the area from which the reports came without seeing anything unusual, they made one last swing eastward on Whittier Blvd. from Soto St. Soon after passing the intersection of Euclid and Whittier, Smith first saw an object on the north side of Whittier and east of Lorena St. Officer Wynkoop verified what Smith had seen almost instantly. At this point, the UFO was descending at a 45 degree angle and heading southwest. As they passed under the Pomona Freeway underpass, several blocks west of Lorena, they lost sight of the UFO, for several seconds.

As they approached the intersection of Lorena and Whittier the object reappeared from behind residential homes and small business buildings in the area; the object was in an ascending flight path of approximately 45 degrees. At one point while they were traveling east on Whittier, Smith said that the UFO passed behind a supermarket sign and was large enough to overlap the sign. The object was moving relatively slowly at this time.

This sign, located at Jonson's Market at the northeast corner of Lorena and Whittier, is approximately 40 feet off the ground. (Editor's Note: A newspaper report that the object passed in front of the sign is in error.)

The pair turned right on Lorena with the in-

ention of paralleling the object for a possible photograph. There was a relatively slow ascent, then the UFO paused momentarily before ascending at a great rate of speed... (Smith) "It was almost like the object being in one position at one moment and then being in another at another moment ... in the blink of an eye."

The UFO rose to an estimated altitude of 1000 to 1500 feet. While near Whittier Blvd. The UFO must have been very close to the ground to be obscured by the local buildings.

At the top of the rapid ascent, the UFO paused again and took off again in a horizontal southwest direction at a great rate of speed. The two officers followed the UFO as fast as they could under the prevailing conditions down Lorena St. and had to stop their cruiser where Lorena dead-ended into Grand Vista. At this location, Officer Smith took a photo of the UFO with a Kodak Instamatic camera through the windshield of the police vehicle:

During the event, Officer Smith and Wynkoop were in contact with the watch commander at Hollenbeck Station by radio telephone. Other sightings were reported to the watch commander from the same area and during the same time frame. At least one of the callers said that the UFO touched down; however, it may have only appeared that way. Based on the officer's sighting, it does appear that the UFO only closely approached the ground.

OBJECT: The object was described as an oval or oblong shaped. Based on a sketch provided by Smith, it was an ellipse, and most likely, the device would have been disc shaped from directly underneath. The color was described as a very bright white light with a slight tinge of blue--like a mercury vapor lamp. Smith said it was so bright that one could not look at it for very long. A definite shape could be discerned. The brightness was noted to be greater than that of the moon. No other details could be determined; i.e., no porthole, no antennae, or other lights. The object displayed a brilliance without radiance or sparkle. There was no movement from within. No noise was heard; however, they were in a closed car. The object did not rotate. They noted no abnormal electrical effects on the car; no problems with the radio, ignition or lights.

ESTIMATION OF SIZE: According to an article in the Los Angeles Times, Officer Wynkoop estimated the apparent diameter of the UFO as that of a half dollar at arms length when they were about six blocks away. It was assumed that this ratio applied when they were near the corner of Euclid and Whittier. From Euclid the estimated flight path of the UFO scales out to approximately 3000 feet. Calculating the diameter of the device using the above numbers, we get a dimension of 125 feet, which appears large compared to other reported UFO dimensional data. The apparent diameter ratio used was 1.25" for the coin held at

30 inches.

Officer Smith reported that when the UFO passed behind the large lighted sign at Jonson's Supermarket, it overlapped that of the sign; i.e., its major dimension exceeded that of the sign by 10 to 20 per cent. Using the known horizontal length of Jonson's sign (20 feet), and the best guess where the UFO crossed Whittier and the per cent overlap of the UFO to the sign (20 per cent), one can estimate the same horizontal dimension of the UFO by a different method. This time the size came out to approximately 33 feet, smaller than the first method by a good bit. It is emphasized that both methods are crude estimations at the very most. It would appear that Officer Wynkoop over estimated the apparent diameter, as the latter method appears to be a better estimate of the true size of the UFO.

During the course of the chase, Officer Smith related that telephone calls were being received at Hollenbeck from the Indiana St. area and that the UFO was reported to be west of Indiana St. This fact substantiates Smith's estimation of the flight path. Thus, from all of this, the UFO appeared to be more on the order of 33 feet in diameter.

PHOTOGRAPH: After the subject sighting, the photograph was taken immediately to the Scientific Investigative Dept. (SID) of LAPD where it was processed and printed. Three officials from SID evaluated the photo and could not identify the one light source in the upper left center of the shot which was reported by Smith to be the UFO. No one connected with LAPD could give an opinion, even off the record, of what the light source was or could be.

Subsequent to the evaluation of the photo, a team from SID accompanied the officers back to the location where the UFO photo was taken. This was some two hours after the incident and a fog bank had settled into the area. SID personnel at the site re-evaluated the photo again to determine if there could have been any extraneous light sources or conditions to explain the unknown light.

The photograph as reviewed by Mr. Adrian Vance and the author showed a blurred whitish object about 3/8" in size on a 5" by 7" reproduction. No usable details were evident to the reviewers; however, to a more accomplished expert there may be something of value. It is understood that the negative is in the hands of Dr. Nathan at JPL; Dr. Nathan is a member of MUFON.

CONCLUSION: The witness, Officer C. C. Smith, by virtue of his job, is trained to be observant and unbiased and thus is a highly credible observer. The UFO sighting as reported by the two officers was substantiated by other unknown persons including two other policemen in the general area. The photo, although somewhat lacking in details of shape and size, etc. does show an unexplained light source. This reported sighting appears to be a true unknown.

Nebraska course on UFO's

By Elmer Kral
MUFON State Director, Nebraska

In January, the first Nebraska college course on UFO's was taught at Doane College in Crete, Neb. by Associate Professor of Physics Everett W. Gross. An assistant was Associate Professor of Organic Chemistry Dr. David H. Smith.

The course was advertised in the college catalog as "A Current Controversy: UFO's" for the four-week Interterm. The course had an enrollment of 11 students. "The whole idea of the course," according to Professor Gross, "was to involve the students as deeply as possible in a current controversy. They were expected to bring their own views and to be exposed to pro and con views of scientists in the form of guest speakers and UFO literature."

The content of the course centered around stellar evolution, the investigation of reports, meteorological phenomena, the occurrence of ball lightning, the basis of skepticism for the extra-terrestrial hypothesis, the problem of psychological phenomena, and problems in photographic evidence. In addition, students reported on books and other materials that presented information on UFO cases and a history of the subject.

Professor Gross said he selected J. Allen Hynek's The UFO Experience (Chicago: Henry Regnery Company, 1972) as the basic textbook "because Hynek has the correct attitude, namely, there is evidence of a need for scientific study."

Members of the Mutual UFO Network supplied many materials, including copies of the MUFON Symposium Proceedings (1971-73) and slides from Walter Andrus, director. Various tape recordings were provided by Elmer Kral. Additionally, students pooled materials they owned.

Guest speakers were James P. Allison of Doane College, Dr. William Welch of Hastings College, George R. Wilken of the National Weather Service office in Omaha, Elmer Kral of Grand Island High School, and two professors from the Department of Physics at the University of Nebraska.

All of the students stated in a course evaluation that they were happy they had registered for the course. Some recommended additional speakers, especially in the field of plasmas and actual sighting of a UFO. According to Professor Gross, "A predominance of the students believed in the ITH at the end of the course. But most had not significantly changed their opinions during the course."

Expiration date

Please check the subscription expiration date on your address label to see if this is your last month for your current subscription. We encourage you to renew in advance so you do not miss any issue.

If you are moving, please send us your new address by the 20th of the month preceding our next issue date. We must pay postage on all undelivered magazines, and we would rather use this money to improve Skylook.

Noted columnist suggests making UFO contacts

Roscoe Drummond, the noted columnist who writes for the Los Angeles Times Syndicate, began a January, 1974, column as follows: "Now that Unidentified Flying Objects are widely and wisely accepted as real, the next step which must concern everybody is how we here on earth can begin to make contact."

He notes that "most astronomers now share the once heretical view of Dr. Parlow Shapley, former director of the Harvard Observatory, that there are at least 100 million inhabited planets in the universe."

Drummond, who has read and publicly praised Major Donald E. Keyhoe's latest book, "Aliens From Space," says he agrees with Keyhoe's contention that the "aliens" probably do not have a hostile intent.

The columnist also believes that "Operation Lure," which was developed by Keyhoe and others, should be tried. For those who have not yet read "Aliens From Space," the following description of "operation Lure" is excerpted from Keyhoe's book:

"The lure will have three or more dummy UFOs, disc-types with domes, built of aluminum. Each one will have glass panels to show that no one is hiding inside. The base will be unmanned, and the nearest humans will be stationed at hidden observation posts over a mile distant.

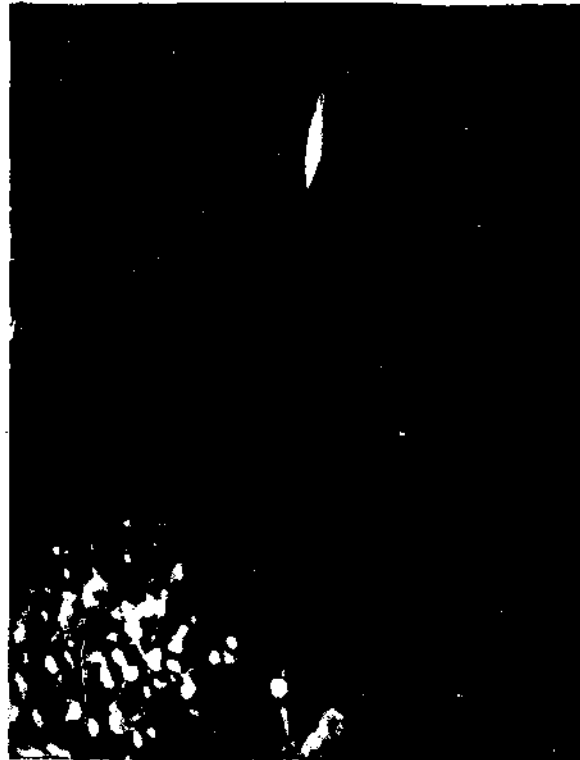
"Near the dummy UFOs will be several 'educational buildings' containing a number of exhibits intended to interest UFO crews. To emphasize that no humans are concealed, the roofs will be made of shatterproof glass, so interiors can be seen from the air. Each building will have one glass wall to permit inspection on the ground.

"All the observer posts are to be below ground level, except for the camouflaged roofs, below which will be high-powered movie cameras with telephoto lenses and concealed telescopes."

Drummond notes that there is the question of whether Earthlings can communicate with the "aliens" after making contact.

Concludes Drummond: "...if humans are not up to communicating with extraterrestrial beings, it is quite likely that the extraterrestrials, whose scientific achievements would be so much greater than ours, can communicate with us. Let's try." (Reported by Charles C. Everman)

Planet in Trouble--The UFO Assault on Earth, by Jerome Eden. Shocking details of actual battles between Dr. Wilhelm Reich and the UFOs! shows how UFOs are destroying Earth; what Earthmen can do to survive. Must reading for serious UFO researchers. Hardcover, \$7.95 postpaid. Order from EDEN, Box 34-s, Careywood, Idaho 83809. (adv.)



UNUSUAL AERIAL OBJECT

The object was seen $\frac{1}{2}$ mile south of Gravois Mills, Missouri, exact location: NE $\frac{1}{4}$, SE $\frac{1}{4}$, Sec. 20, T.41N., R.17W., Morgan County. The observation was made by five adults from 0130 to 0136 on Jan. 29, 1969.

The object was seen by the five witnesses as a reddish-pink light source with a very faint beam of light extending northward from the front, and a brighter beam of light trailing the object to the south. Through 6x50 binoculars it appeared to be circular, with the beams extending north and south. There seemed to be a second ball, much fainter than the larger just in front of the brighter ball. The brighter beam was almost pink and was slightly fan-shaped at the south end.

The object was measured with a card ruler held at arms length: it was 1 inch long and 1/8 inch in width at the widest point. The object was 35° above the horizon and was due north by compass reading. A camera was placed atop an automobile and two time exposures were taken. Scattered clouds moved into the area and the object was no longer visible.

The brightest section appeared to be about as a 2nd magnitude star. The object did not change color or brightness during the 6 minute observation. It was stationary during most of this time period.

The temperature was 18°, wind from the E-SE at 12 mph. The camera used was a Yashica D, a twin-lens reflex, f/80mm, 3.5. The photographs were taken at f/3.5, exposure time, 15 seconds and 20 seconds. Film used was Tri-X ASA 400, 120. (Reported by Ted Phillips)

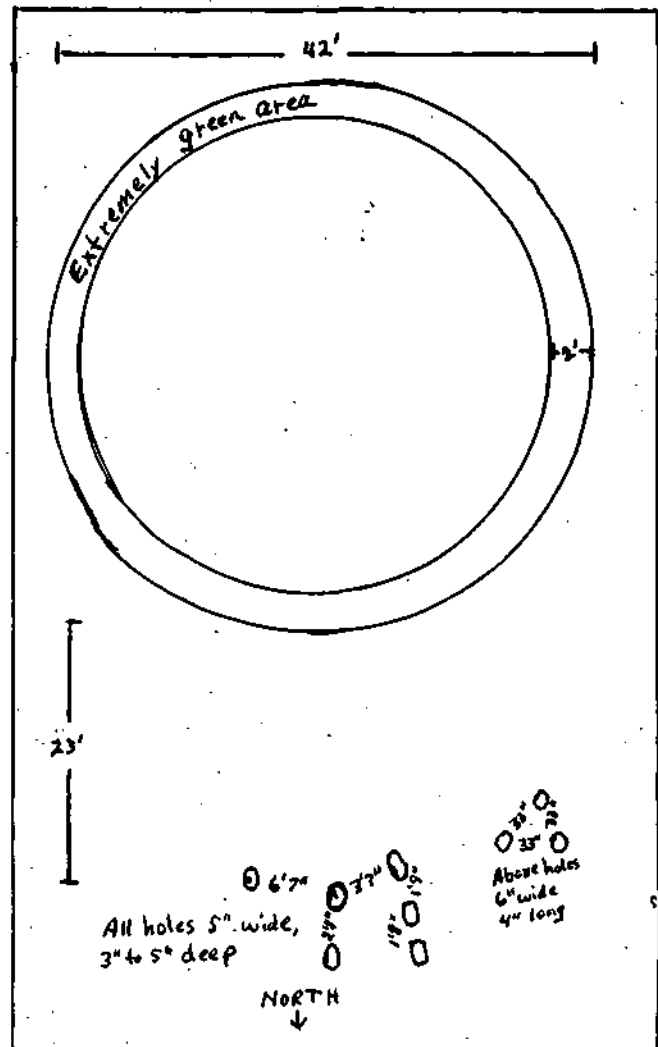
Three sightings reported

A series of events in Beaver County, Pa., on Nov. 1 and 2, 1973, involving three separate sightings, evidence of a possible landing, and possible "Big Foot" tracks have been reported by Investigator Robert Boyde.

The first incident was reported by officer Bernard Zlatovich of the Ohioview police, who said he was on patrol when he observed an object at about 6:30 p.m. in Ohioview Township adjoining Midland, Pa. (about 30 miles northwest of Pittsburgh). He said the object was traveling from the northwest to the southeast when first observed, and he tried to put his spotlight on it. He said the object moved from side to side, dodging his light. The object hovered above high tension lines near the highway about 1500 feet from the ground for about 15 minutes, he reported. Zlatovich described the object as pie-shaped with red and white lights revolving in a clockwise direction. He estimated the size to be that of a pie plate, from his location. He said the lights were much brighter than a star, and that they stayed at the same intensity at all times. There was no visible exhaust, no sound, and no interference with the patrol car's operation, lights, or radio, according to the officer.

The next incident reportedly occurred about an hour later (7:30 p.m.) seven miles to the east of the first reported sighting. Three girls reported that they observed an object hovering in the vicinity of the atomic power plant at Shippenport, Pa., as they were returning home to Industry, Pa., in an auto. They described the object as having red, white, and green lights, but they were unable to see beyond the lights. They said the object also had a very bright beam of light extending from the bottom, and that the lights stayed the same intensity at all times. The three girls--Debbie Hawthorne, Pauletta Croyle, and Bonnie Lofhus--said the object hovered for about five minutes, and apparently made no sound. There reportedly was television interference, and noticeable animal disturbances (dogs "carried on and barked"). The girls stopped at a friend's house and reported the incident to police.

The third incident reportedly occurred an hour later (8:30 p.m.) in the Midland Heights area, very close to where officer Zlatovich had reportedly seen an object earlier. A Mr. Varvette and several youngsters said they saw the object, then jumped into a car to follow it. The object, which had been moving to the east, was described as being about 40 feet in diameter, with red, white, and green lights on the bottom. As the auto with Mr. Varvette and the youngsters came over a rise in the road, the object reportedly gained altitude in a straight direction. It was about 3,300 feet from their location when this occurred. The witnesses said they were near a pasture, and could hear that the cattle were very disturbed. At the time of the sighting, the Midland police



The above drawing has been sketched from one provided by Investigator Robert Boyde of the possible landing site of a UFO on or about Nov. 1, 1973, in Beaver County, Pa.

were reportedly looking for "a strange "animal," and did not see the object, which had passed over a housing project.

The final incident occurred the next day when Mr. Varvette and a friend were hunting wild game. They reportedly noticed an unusual "perfect circle" near the edge of a pasture where a wooded area began. Near the circle were holes on the sloping side of the ground, according to Mr. Varvette. To the rear of the housing project, footprints resembling those of the "Big Foot" creature were reportedly found. A woman in the project, who was not identified in the report, claimed that she saw two large, round, greenish eyes staring from the woods as her flashlight hit them.

1974 Symposium June 22 in Akron

Each year the MUTUAL UFO NETWORK (MUFON) sponsors an annual symposium devoted to the study and sharing of information on the phenomenon known as unidentified flying objects.

A real challenge has faced the committee planning the 1974 Symposium after the highly successful event held in Kansas City, Mo. in 1973. The host organizations are the pioneer UFO groups "Flying Saucer Investigating Committee" (FSIC) of Akron, Ohio, and the Cleveland Ufology Project" (CUP) of Cleveland. The conference will take place in the beautiful multistory Cascade Holiday Inn, 5 Cascade Plaza, Akron, Ohio 44308.

The featured evening speaker, Stanton T. Friedman, a nuclear physicist by profession and now a popular UFO lecturer at colleges and universities, will present overwhelming evidence that "flying saucers are real" in his own dynamic manner.

A newcomer to the MUFON lecturn, but a veteran on the UFO scene in the field of psychiatry, Berthold E. Schwarz, M. D., has titled his speech "PSI, Saucers, and Psychiatry."

A researcher known around the world for his specialization in UFO landing case traces, Ted Phillips, will speak for the fifth consecutive annual symposium on current outstanding landing cases in his file, now numbering more than 600.

The "Barney and Betty Hill Occupant Case" has been further documented through the study and research conducted by Miss Marjorie E. Fish in her scale model star map depicting the "trade routes" between stars drawn by Betty Hill while she was under hypnosis. Miss Fish will share her fabulous work with symposium participants in her lecture.

Ralph Blum, author of the New Bantam paperback book titled "Beyond Earth--Man's Contact with UFOs" will discuss in detail some of the most creditable UFO sightings during the 1973 "flap." He has appropriately titled his talk "From Scoffer, to Skeptic, to Believer, in Twelve Hectic Months." His wife Judy collaborated in the preparation of his book.

After publishing papers in both the 1972 and 1973 MUFON Symposium Proceedings, the Reverend Barry H. Downing, Ph.D., author of the best selling book "The Bible and Flying Saucers," plans to speak in Akron on June 22.

Walt Andrus, director of the Mutual UFO Network, will make an introductory speech on the organization and work being performed by MUFON throughout the world.

Spearheading the local arrangements in Akron will be Lawrence "Larry" Moyers, MUFON State Director for Ohio; Earl J. Neff, "Dean of Ufologists" and A. E. "Marc" Candusso--veterans in the UFO field, ably assisted by members of the two host organizations.

Ticket and reservation information will appear in subsequent issues of SKYLOOK. As Mr. Candusso



Stanton T. Friedman

would say, "Mark" June 22 on your calendar now, so that you may plan to attend this most enjoyable educational and social event. With proper planning, the gasoline and energy "crisis" should not present a problem. We hope to see you in Akron.

Amateur radio luncheon scheduled

By W. P. Armstrong
St. Louis, Mo.

Plan now to come to the 1974 MUFON Symposium in Akron on June 22, and to attend the special luncheon for amateur radio operators at noon. This luncheon is being planned especially for the hams who check in on the MUFON Radio Net on Saturday mornings. It will be an opportunity for the first face-to-face contacts for many of those active in the net. However, all hams attending the Symposium are welcome to come to the luncheon. Details of rooms exact time, cost, etc. will be covered in the April and May issues of SKYLOOK.

The MUFON Radio Net meets every Saturday morning at 8 a.m. Central Time on 3975 kHz using single sideband. Net control is usually by WA9ARG, Marshall Goins, in Quincy, Ill., with MUFON Director Walt Andrus, W9KRC, tied in by telephone from his home. Usually from 5 to 10 or more hams report into the net; they are spread out over Illinois, Indiana, Iowa, Minnesota, Missouri, Nebraska, Oklahoma, and Wisconsin. All hams with an interest in UFOs are welcome on the net.

The MUFON Radio Net was started in November, 1970, by Ron M. Anderson, WA9PAM, of Chippewa Falls, Wis., who is director of Amateur Radio Communications for MUFON. The net has met regularly ever since, initially twice a month and now every week. The net meetings usually run from 60 to 90 minutes. Reports of recent UFO sightings and the latest MUFON news items are exchanged.

Symposium bus planned

In order to avoid the gasoline shortage and possible gas rationing, the UFO Study Group of Greater St. Louis has made tentative plans to charter a bus round-trip from St. Louis, Mo., to Akron, Ohio. The bus would leave St. Louis at noon CDST on Friday, June 21, arriving in Akron, Ohio, at the Cascade Holiday Inn at midnight. The return trip would depart Akron at 1 p. m. EST on Sunday, June 23, terminating in St. Louis that evening at midnight. Two sizes of buses are available from the St. Louis Cape Bus Lines; a 40 and a 49 passenger vehicle. The round-trip fare using the forty passenger bus would be \$23.00 and if the forty-nine seat bus was used the fare would be only \$20.00 plus tax. (This is a fantastic bargain, since the regular round-trip fare to Akron from St. Louis by bus is \$51.00.)

To take advantage of this terrific offer, reservations must be received by March 24, 1974. Please send your written request for reservations (no money at this time) to: UFO STUDY GROUP OF ST. LOUIS, P. O. Box 9, O'Fallon, Mo. 63366 indicating the number of reservations that you definitely desire. Once the bus is reserved on a "first-come" basis, they will accept alternates for replacements to fill any vacancies. If the response is overwhelming, two buses will be chartered provided firm reservations are committed.

Missouri and Illinois people within a reasonable driving distance of St. Louis will benefit from this arrangement to attend this outstanding UFO Symposium. (See details in this issue of SKYLOOK.) Incidentally, 180 rooms have already been blocked off for MUFON people at the Cascade Holiday Inn. See the next issue of SKYLOOK for the special reduced room rates. Make your plans now to attend the 1974 UFO Symposium by reserving your seats on the "UFO SPECIAL FOR AKRON."

WOMEN CLAIM OBJECT FOLLOWED THEIR CAR ON TEXAS HIGHWAY

DALLAS, TEXAS, TIMES HERALD, NOV. 20, 1973-- Mrs. Faye Seeley and Mrs. Faye Hileman and their children were returning to their homes in Rosebud from Buffalo at about 8:15 p. m. on November 18 when they saw a triangular shaped object. They at first thought it was a star, but the object brightened and dimmed, then began to pace their car. "It came down to about two car lengths off the ground and just sat there like it was daring us to come closer," said Mrs. Seeley. She said she turned the car around and took off in the opposite direction. "It rose back into the air a little distance and began to follow," said Mrs. Hileman. "It came quickly for awhile as if trying to catch up. But when we saw the lights of a car up ahead it just slowed and followed. When we caught up with the other car the light from the object dimmed and it went straight up in the air and out of sight."

OKLAHOMA DAIRY FARMER REPORTS OBJECT LANDED IN HIS PASTURE

ASSOCIATED PRESS, FEB. 18, 1974--Clay Knight, a dairy farmer who lives near Vinita, Okla., has reported that a silvery, flashing object "the size of a bedroom" took off and landed on his farm Feb. 18.

Knight said the object was first sighted about 4:30 a.m. as he was getting his herd out for early morning milking. He said that it was rising straight up out of the pasture when he first saw it, then it took off and went a little ways and appeared to land again. "The last time it just went straight up in the air and disappeared."

Knight said the object was shiny silver color, had flashing red or orange lights, and was making a high pitched noise--real shrill, sort of a whistling sound.

The noise and lights reportedly scattered the cattle, and scared them so badly they "wouldn't give a drop of milk," according to Deputy Sheriff Joe Davenport. "His herd dog was so scared that it took off to the house or garage or somewhere, and he never could get it to come out again."

Davenport said, "It wasn't any prank or fake call. He was really sincere about it and was scared." The deputy added, "I don't have any reason not to believe him. He's a college graduate and obviously a man of high intelligence, and he definitely saw something." (News clips sent in by Hazel Pugh, Sid Shouse, and Norma Short)

300- FOOT LONG RED-ORANGE OBJECT REPORTED BY COUPLE IN MISSOURI

WARRENSBURG, MO, STAR-JOURNAL, DEC. 11, 1973-- Mrs. Jay R. Hodges said that on Dec. 2, about 11:15 p.m., she looked out the window and saw an orange glow. She called her husband, and they described it as a "300-foot long red-orange shape floating above the tree level." Mr. Hodges, who is a former aircraft mechanic, said, "We had about seven or eight minutes to study the thing, and I tried to think through every possible aeronautical principle for an explanation. Long before it disappeared I had decided that it made no earthly sense." The Hodges said the object looked like a bowl. Mr. Hodges likened it to an orange, split in half, with the flat side up. Mrs. Hodges described the color as that of hot red coals in the middle of a wood fire. Mr. Hodges, judging by the light shed on trees beneath the object, estimated it to be 200 to 300 feet in length. Mrs. Hodges, judging by the number of Centerview street lights it stretched across, came up with the same figure. Both said the object hovered at treetop level without any apparent movement. After seven or eight minutes the object slowly moved directly away from the witnesses with no rapid change of color, although the intensity diminished as the object moved farther away.

14 ring reports in 1973 landings

By Ted Phillips
MUFON Secretary

As in years past, 1973 produced a number of new "ring" reports. In all, 14 cases involved circular landing sites, described as burnt, depressed, or dehydrated. One must remember the Delphos, Kansas, case in looking at the two reports in which the soil glowed, and the six reports in which a white material was found in the ring soil. The ring sites ranged from four to 42 feet in diameter. In at least four of the 1973 cases, the witnesses were within 50 feet of the landed UFO. The largest number of witnesses to a single UFO-trace event was 16. The sighting of longest duration lasted just over one hour.

January 8, 1973.....A freshman at East High School in Ellenboro, North Carolina, reported seeing a small object land behind his home. As it landed, a "funny squealing noise" was produced over a radio. The witness tried to approach the red and gold object and it ascended with a loud report. A hole was found with black particles on the snow around it. A greenish fluid filled the hole.

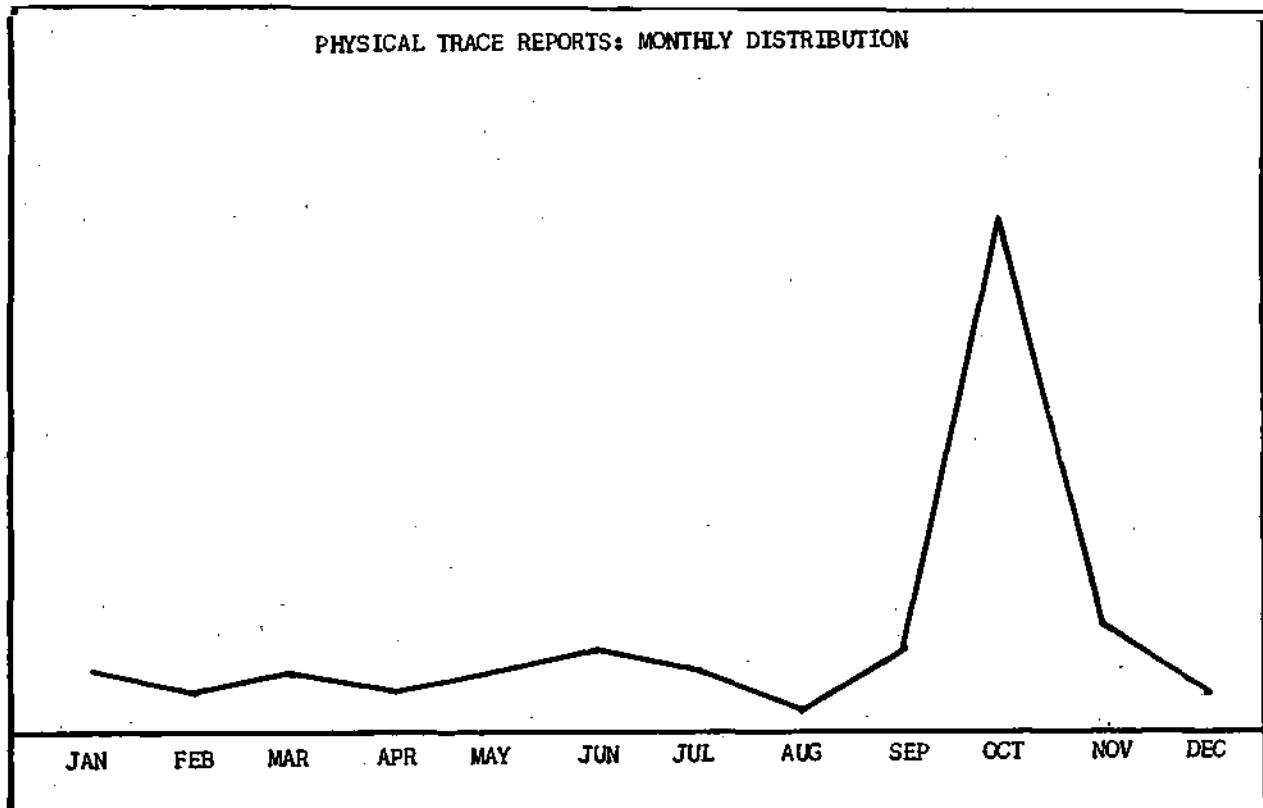
February 9, 1973....Durban, Rhodesia, witness found a ring near his home following numerous UFO reports in the area. The ring was 10 feet in diameter and the perimeter was covered with a fine, brown dust. Inside there appeared another ring, covered with a gray powder. In the center of the ring, imprints.

March 7, 1973.....Akron, Ohio, four witnesses observed a UFO landing. The witnesses contacted police who found a burned area.

April 1973.....Navarre, Australia, three witnesses saw a globe of light rising over nearby trees. A 42-foot circle was found. The soil outside the ring was dark and moist with the ring soil heavily loaded with a silvery-white substance to a depth of four inches.

May, 1973.....Queenstown, Africa, two witnesses heard a strange sound as their bedroom was illuminated by a bright glow. They found four imprints 23cm long and 15cm wide. The four imprints form an area ten feet long and five feet wide. The grass in the area was dying and turning brown.

June 28, 1973.....Columbia, Missouri, three witnesses observed an oval-shaped object glowing with a silver-white light near the ground. The object was 40 feet away at the closest point. The house lights failed two times and the telephone was dead for about 3 minutes. The object illuminated an area about 100 feet wide, trees around the object were moving violently back and forth. The observation lasted about 35 minutes. Several imprints were found, a large tree limb was twisted and pulled down. Leaves in the area turned brown and died within a few days. Leaves were burnt near the ground.



A SUMMARY OF PHYSICAL TRACE REPORTS: 1973

After receiving information on nearly 2,000 UFO reports for the period of January - December, 1973, we find that there were well over 100 reported landing cases. Of these, 57 involved physical traces. The worldwide distribution is as follows:

| | | | |
|--------------------|----|-------------------|---|
| United States..... | 47 | England..... | 2 |
| Rhodesia..... | 1 | Australia..... | 5 |
| Spain..... | 1 | Sputh Africa..... | 1 |

In the United States, the reports were as follows:

| | | | |
|-------------------|---|---------------------|---|
| Alabama..... | 2 | Arizona..... | 1 |
| Arkansas..... | 1 | California..... | 2 |
| Florida..... | 1 | Georgia..... | 2 |
| Indiana..... | 1 | Iowa..... | 4 |
| Louisiana..... | 1 | Michigan..... | 3 |
| Mississippi..... | 2 | Missouri..... | 6 |
| Nebraska..... | 1 | North Carolina..... | 1 |
| Ohio..... | 5 | Oklahoma..... | 1 |
| Pennsylvania..... | 5 | Tennessee..... | 8 |

| | |
|---|-----|
| Reports with two or more witnesses..... | 47% |
| Reports with one witness..... | 34% |
| Reports with traces, no witnesses..... | 19% |

| | |
|----------------------------|-----|
| Object touched ground..... | 57% |
| Object near ground..... | 43% |

| | |
|--|----------|
| Effects (animal, human, mechanical)..... | 10 cases |
| Occupants..... | 5 cases |

The UFOs observed were reported as:

| | |
|-------------------|-----|
| Disc-shaped..... | 77% |
| Triangular..... | 4% |
| Cigar-shaped..... | 9% |
| Light Mass..... | 10% |
| Metallic..... | 26% |
| Red-Orange..... | 47% |
| Gold..... | 21% |
| White..... | 6% |

Compiled by Ted Phillips

Landing site data:

| | |
|--|----------|
| Circular..... | 14 cases |
| Oval..... | 1 case |
| Depressed..... | 11 cases |
| Dehydrated..... | 5 cases |
| Burned..... | 15 cases |
| Trees damaged..... | 6 cases |
| Imprints..... | 18 cases |
| Unusual fluid found at site..... | 1 case |
| White material found in ring soil..... | 6 cases |
| Soil glowed following observation..... | 2 cases |

July 29, 1973.....Irwin, Pennsylvania, a round object was seen a few feet off the ground. Violent animal reaction. A small tree began to die shortly after the event.

September 13, 1973.....Roodport, England, several witnesses reported seeing a saucer-like object with a smaller golden ball beneath it emitting sparks and smoke over trees about 125 feet from them. The roof of a double garage lifted and fell on the back of the roof of their home. The object took off in a westerly direction.

October 1, 1973.....Giles County, Tennessee, two witnesses reported seeing an egg-shaped object with a brilliant white light at the top. The object disappeared behind nearby trees. Imprints were found.

October 18, 1973.....Zachary, Louisiana, a young boy observed a cigar-shaped object flying

overhead. The object emitted a white, silky substance which fell to the ground. The material evaporated at the touch.

November 4, 1973.....Kansas City, Missouri, several witnesses saw silvery discs overhead at 1000. A white material fell to the ground.

December 13, 1973.....Bradenton, Florida, witnesses saw a UFO at low level. Witnesses automobile damaged by material dropped from object.

**UMBRELLA-SHAPED DOME REPORTED
BY WASHINGTON STATE WOMAN**

OLYMPIA, WASH, OLYMPIAN, DEC. 26, 1973--Myra R. Suaza told deputies she saw a strange flying object while driving on Interstate 5 and Jordan Road Dec. 24. She described it as oval shaped, with an umbrella-shaped dome and red and green lights.

SKYNET sighting log

On Feb. 6, 1974, (Wednesday) Miss Connie Butler called SKYNET #3 Druffel to report an object she had viewed five minutes earlier over the San Fernando Valley, Calif. She had called the Van Nuys police department and had been referred by Operator #83.

She stated she had been returning from a dance-exercise class in Woodland Hills, and was driving north toward Canoga Park when she noticed a bright white light in the northern sky. It was much brighter than a star or planet and at first she thought it was a spotlight on a sheriff's helicopter. She stopped the car to watch it when she realized it was not moving as an aircraft would do.

It stayed stationary during "two or three songs" on the car radio. She was on a road above the houses in Woodland Hills, in hilly terrain, and the object seemed to be above Chatsworth and Simi Valley further to the northwest.

The light had been steady and motionless up to this time, but it suddenly "shot rays," which she described as similar to the rays a child draws around the sun. The "rays" were definite and very bright, and the whole object flared brighter at this time. It pulsed erratically for about 10 seconds, then began to move very slowly toward the southwest.

After the rays shot out, a red color began to spread from the center, and the entire object became a beautiful brilliant red, and quickly assumed the shape of a "cigar" about $\frac{1}{4}$ size of the full moon. She noticed a few pulsations, more regular than erratic, as the object moved away from her. As it faded into the distance the pulsations were no longer noticeable. She watched a few minutes more (making the entire duration of sighting about 10 minutes) while it moved slowly to the southwest. Eventually it faded from view into the distance. No radio static noted.

Time of sighting was 10:00 or 10:05 p.m. Witness states that the edges of the cigar shape were clearly defined. She feels it was something truly strange. She is interested in UFOs from hearing her friends discuss them, and from seeing an "orange cone-shaped" object a few months ago in the Mohave Desert, in the company of four friends. Sighting forms (NUFON) sent.

A possible corollary to this sighting might exist in the sighting early on the morning of Feb. 6 in Northridge. This is the same general area as Miss Butler's sighting, and occurred some fourteen hours before hers. A Mrs. Helen Mahan of Northridge reported to Mrs. Idabel Epperson that she had awakened between 5:30 and 6:30 a.m. and viewed a bright white light approximately $\frac{1}{4}$ size of the full moon. It was "bouncing as if floating." She described a tiny light at the position of 4:00 o'clock on the big light. This tiny light spurting out from time to time. The

object moved toward the northeast and out of her sight. Duration of sighting, 20 seconds.

During the entire day of February 6 there were northeasterly winds throughout the Los Angeles Basin, gusting at times up to gale force. The Mahan sighting, therefore, was reported traveling directly against the winds. The Butler sighting moved generally with the winds, and it was considered a possible flare balloon at the time it was reported.

There are some aspects of the Butler case, however, which work against it being a hoax balloon:

1. No type of highway flare is known at present to the investigator that appears white first, then changes to red. Flare balloons which have been observed in this area are red from start to finish, and always maintain a brilliant "point source" appearance. Miss Butler reported sharply defined edges to the cigar shaped red object.

2. The deliberate, slow movement of the object after remaining stationary for several minutes is not typical of the course of hoax balloons, especially in a strong wind.

3. If one considers the light "spurting out" on the side of the Mahan object as being turned toward the observer, it possibly could have given the appearance of "rays shooting out" over the entire object, as reported by Miss Butler.

Other UFO's of this same general description have been seen on successive days over the Los Angeles basin. (Investigation and report by Ann Druffel for Mutual UFO Network)

"PHENOMENA RESEARCH REPORTER--The official publication of Phenomena Research--P. O. BOX 1807--Seattle, Washington 98111. A major source of information pertaining to Aerial and Surface Phenomena. The Reporter is mailed to you as rapidly as the incoming news can be prepared for printing; Currently averaging an issue every two weeks. Subscription: U. S., Canada and Mexico--Six issues for \$4.00 by first Class Mail. All other countries--six issues for \$7.00 by Air Mail. (adv)

UFO Books for sale.
Flying Saucers-Closeup-John W. Dean \$9.95
Flying Saucer-Analysis of Project Bluebook-report #14-Dr. Leon Davidson. \$7.95
Flying Saucers - Serious Business - Frank Edwards \$7.95
The Interrupted Journey-John Fuller \$6.95
The Wright Field Story-James W. Moseley-deluxe hard cover \$9.95
The silver Bridge-Gray Barker \$7.95
Free list on over 50 others. Wm Bemis
P.O. Box 35, Versailles Illinois. 62378 (adv)

Argentine contact case lacks details

A contact report somewhat like the famous Betty and Barney Hill case, as well as the more recent Pascagoula episode, has been reported from Argentina. Although details of the case, including the exact date of the alleged contact, are somewhat sketchy at this point, it has received widespread publicity in the media.

The following summary has been pieced together from UPI, La Nacion, the Cross Country News, the National Tattler, and other sources as the best currently available. There has been no MUFON investigation of this report thus far although Joe Brill, International Coordinator for MUFON, is attempting to gather reliable information on the case. Any additional facts will be reported as they are known. The reliability of the alleged witnesses has not been checked, and no final conclusions should be drawn from the sketchy and unchecked information available at this point. The story is as follows:

A 25-year-old Argentine trucker, Dionisio Yanca, has been under treatment by a team of six doctors in Bahia Blanca (400 miles southwest of Buenos Aires) since October, 1973, after reportedly being taken aboard a spacecraft, according to the newspaper La Nacion.

Dr. Eduardo Marta, of Bahia Blanca, was supposedly the first physician to treat Yanca. In a Jan. 21 interview with newsman David Day of KFJZ, Ft. Worth, Texas, Dr. Marta reportedly said (through translator Kathy Alcalá) that Yanca wandered around for some time suffering from amnesia and shock before wandering into the hospital and meeting Dr. Mata.

Dr. Mata said he began to treat Yanca, but could not learn what had upset him, as the patient simply would not tell his story. Finally, under hypnosis and the so-called truth drug sodium pentathol, Yanca said he had been taken aboard a spacecraft.

According to Dr. Mata, Yanca has been placed under hypnosis and given sodium pentathol on numerous occasions during a two-month period, and on each occasion his facial expression takes on exactly the same look, and the story is told in precisely the same way.

According to La Nacion, Yanca said he spent an hour and a half aboard the spacecraft. While aboard, the craft reportedly hovered over a power line, and placed a cable on the power line and another cable in a nearby lagoon, apparently to take on power. La Nacion said a local power company reported a sudden, sharp, and unexplained rise in electrical consumption at about the time the incident reportedly took place.

La Nación also reported that an Argentine air base near Bahia Blanca sighted a UFO on the same day Yanca was reportedly abducted. National Tattler says the sighting was by six Argentine Navy men in a control tower, who tracked the UFO for 20 minutes. They reportedly were using so-

phisticated electronic tracking gear, and were certain that the object was not a plane or a satellite.

According to the Tattler, the incident began when Yanca stopped on a highway to fix a flat tire. He reportedly told authorities that a craft with a brilliant white light landed near him, and three creatures emerged. According to the Tattler, Yanca said the creatures had "huge, bulging eyes, and they were dressed in tight-fitting jump suits when they stepped out of that strange vehicle." Yanca reportedly tried to flee, but one of the creatures placed a hand on his shoulder. "Immediately a light hit my head and I don't remember anything else," Yanca is quoted as saying.

Under hypnosis, Yanca is reported by La Nacion as saying that the creatures communicated with him by humming voices which were made intelligible through a loudspeaker, and that they predicted the Earth would suffer grave events in the future. The creatures were reportedly trying to ascertain whether man could survive in their planet's atmosphere, in another galaxy, if the Earth were destroyed.

There is more detail to the story, according to Dr. Mata, but he said he was not at liberty to tell the rest of it, citing doctor-patient secrecy relationships. The doctor reportedly said that the story, as related, appears to be true. (From information provided by Charles Kahlert, Ray Hobbs, Norma Short, and Joe Brill.)

OBJECT WITH AMBER AND WHITE LIGHTS REPORTED NEAR GROUND IN CALIFORNIA

At about 12:30 a.m. on Jan. 25, at Lemoore, Calif., Charlie Kendall, the owner of a pizza parlor, reportedly spotted a round object with numerous amber and white lights about 15 to 20 feet above the ground near his home.

He said he was first attracted by a hissing sound, and "at first I thought it was a pickup truck with a spotlight on top." Soon after the object was spotted, it reportedly soared into the air, hissing "like an idling jet" and making a clicking sound "like a bicycle when kids put cardboard against the spokes."

He estimated that the object was about 12 feet in diameter, and said that it rotated in a clockwise direction.

Kendall, who noted that he never really put much stock in UFO's before, said the object disappeared after soaring into the air, but returned a few minutes later, flying back and forth in different directions, and changing altitude rapidly before speeding off to the south.

"I have done some flying," he said, "but I have never seen anything that could change altitudes as quickly and gracefully as this thing."

Kendall's wife and two friends were called out and they also reportedly saw the object. (Reported from a UPI dispatch)



Astronomy Notes

By Mark R. Herbtritt

MARCH SKY

Venus--is a morning star rising in the south-east about 2 hours before the Sun.

Mars--is past the meridian at sunset and sets before midnight, being in the southwest at 9 p. m. CST.

Jupiter--may be seen briefly very low in the east before sunrise.

Saturn--is on the meridian at sunset and sets after midnight.

STUDENT CONVINCED HE SAW UFO WHILE GAZING OUT CLASSROOM WINDOW

CHULA VISTA, CALIF, STAR NEWS, DEC. 13, 1973--Christopher Logue, 11, was gazing out a classroom window when he saw an object "shaped like a disc" which looked like "a shiny china plate." He said the top of it was toward the sun, and the bottom was real shiny like it was glowing." He said he and "my friend Charles" saw the object, and "I just screamed UFO and everybody ran outside." The object had disappeared by the time the class got outside, however. "I checked out a book from the library right after," he said, "and my flying saucer was right there in the book. It was just like the one I saw."

OKLAHOMA DAIRY FARMER REPORTS TRIANGULAR UFO FLIES ABOVE FARM

CLINTON, OKLA, DAILY NEWS, NOV. 30 1973--George Meacham, who lives three miles from Hydro, said he had finished his dairy chores about 7:55 p.m. on Nov. 29 when he looked out a window of his barn and saw two large lights coming in his direction. He stepped out of the barn and saw that the lights were star-shaped "with definite star points visible." He called his son, a college senior, from the house, and they watched it move overhead. The object had a triangular shape. Two points had bright red flashing lights, and the other point had a blue-green flashing light. "All the lights blinked very, very rapidly," he said, "unlike airplane lights." The craft had another light that appeared to be detached up above the object. "It appeared, with the light above, that the craft had some type of upper structure--like a cabin--but we could not see it," Meacham said. He said the object appeared to be about one-half to three-fourths of a mile high, traveling about 70 or 80 miles an hour at the maximum. "It was motor driven and not of the normal variety," he said, emphasizing that it was not an airplane or helicopter or other type of aircraft he had seen before.

TEXAS WOMAN AND GRANDSON REPORT UFO HOVERING IN PASTURE

CALVERT, TEXAS, TRIBUNE, DEC. 20, 1973--At about 6:30 p.m. on Dec. 11, Mrs. Nita Smitherman was driving with her four-year-old grandson, Brent, on the Old Hearne Road north of Calvert when Brent suddenly began talking about "space men in our pasture." He insisted there was a space ship in their pasture near the calf pen, and when Mrs. Smitherman looked, she says she saw a strange object hovering over the pasture, blinking very bright red lights. She said she could not see the outline of the craft clearly, but that a tower type structure was visible on top, and a very intensely bright red light was on top of this structure. At each end of the craft, which appeared to be oval, were long antennas that seemed to gather and throw the red lights in a pulsating motion. "The light on the west end was huge," she said, "and it glowed maroon-like." Mrs. Smitherman pulled into her yard and went inside to tell her husband. When he came outside and neared the fence, the object "made a whooshing sound and took off faster than the eye could follow." It settled down again in the distance behind a row of trees.

OREGON WOMAN REPORTS OBJECT HOVERING OVER NEIGHBORS' ROOFTOPS

PORTLAND, OREGON, JOURNAL, DEC. 6, 1973--Mrs. Sylvia Glidden, 46, of Vancouver, Washington, told sheriff's deputies that she saw a mysterious object hovering over neighboring rooftops Dec. 4. She described the object as having "red and green lights: and being a "large circular object." She said it hovered for about 20 minutes, then vanished with the approach of an aircraft. Her teenage son and daughter said they saw the object, as did others in the neighborhood.

BRIGHT OBJECT SIZE OF HOUSE REPORTED BY MICHIGAN WOMAN

PETOSKEY, MICH, NEWS-REVIEW, DEC. 4, 1973--Mrs. Jeanette Cornell of Horton Bay says she sighted a UFO at about 11:30 p.m., Dec. 3. She said she saw a bright orange object about the size of a house hovering over trees off the Pincherry Rd. as she was driving near her home. "It was right at the top of the trees," she said. "I drove right off the road." She said the object was mushroom-shaped, had no direct rays around it, and kind of glowed. She said her car windows were down, and the object made no sound.

OBJECT WITH BLUE LIGHTS REPORTED BY WASHINGTON WOMAN

WALLA WALLA, WASH, UNION BULLETIN, JAN. 3, 1974--Mrs. Ebba Davis reported that she was looking out her kitchen window about 7 p.m. on Jan. 1 when she saw "a large blue object with lights all around it and inside it." She said it "just sat still for about 20 minutes off in the distance before moving on." Police officers said she "was very convincing," and that she had previously seen a UFO early last fall.